

STREET LIGHT MAST ARMS, LUMINAIRES & LAMPS

REVISION: Updated Tables & Notes; Added Luminaire, Streetlight Luminaire Arm, Lamp Details & Tables.

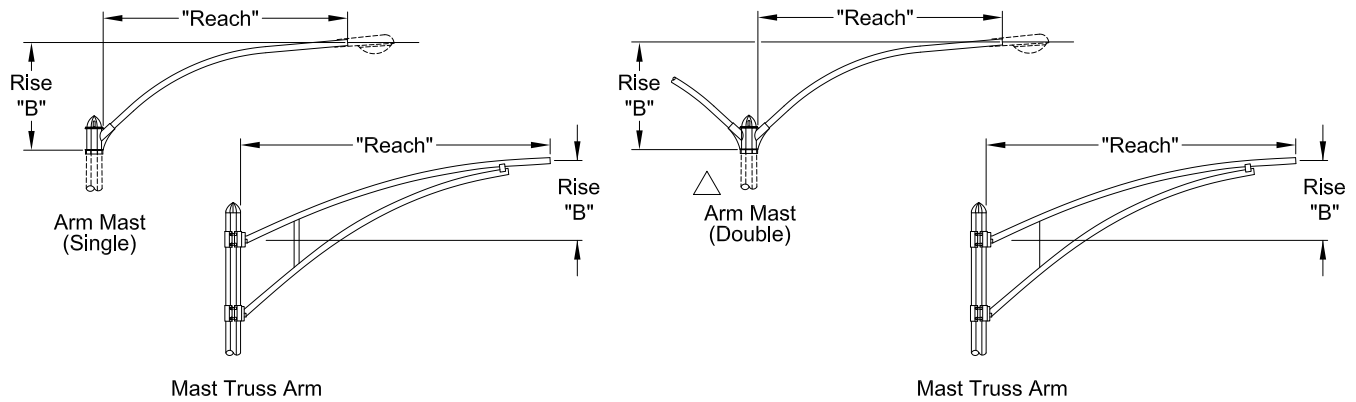
CHECKED BY (ENGINEERING): SJ

DATE: 10/16/14

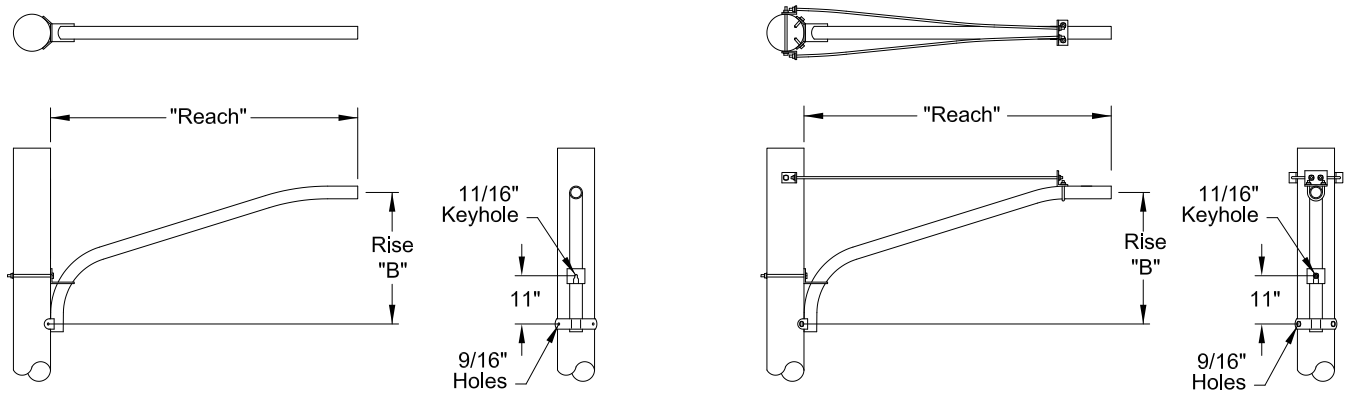
CHECKED BY (FIELD): DM

PREPARED / REVISED BY: SJR

APPROVED BY: *Shen Mejia*



CONCRETE POLE CONTEMPORARY LUMINAIRE ARMS							
Item No.	Description	Arm Style	Catalog No.				RPU Stock No. (For Internal Use Only)
			Union Metal		Ameron		
			Part No.	Rise	Part No.	Rise	
LF-1	4' Reach Arm Mast, Alum.	Single	D4		1AP4A (F4)	24"	24760
		Double			1AP4DA		
LF-2	8' Reach Arm Mast, Alum.	Single	D8		1AP8A (F8)	42"	24761
		Double			1AP8DA		24704
LF-3	10' Reach Mast Truss Arm	Single	J10		1SG10A (B10)	30"	24762
		Double	S10		1SG10A		25120



WOOD POLE LUMINAIRE ARMS								
Item No.	Description	Catalog No.						RPU Stock No. (For Internal Use Only)
		Salco			MacLean			
		Mfg. Part No.	Reach	Rise	Mfg. Part No.	Reach	Rise	
LF-7	6' Arm Mast, 2" Dia. Aluminum	WP-2-6-A	72"	24"	A-2-6G	66"	30"	24755
LF-8	8' Arm Mast, 2" Dia. Aluminum	WP-2-8-A	96"	36"	A-2-8G	90"	42"	24756
LF-9	10' Arm Mast, 2" Dia. W/ 2 Reinforcing Rods, Aluminum	WPDG-2-10-A	120"	35"	-	-	-	24751
LF-10	14' Arm Mast, 2" Dia. W/ 2 Reinforcing Rods, Aluminum	WPDG-2-14-A	168"	47"	-	-	-	24759

STREET LIGHT MAST ARMS, LUMINAIRES & LAMPS

REVISION: Updated Tables & Notes; Added Luminaire, Streetlight Luminaire Arm, Lamp Details & Tables.

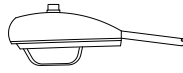
CHECKED BY (ENGINEERING): SJ

DATE: 10/16/14

CHECKED BY (FIELD): DM

PREPARED / REVISED BY: SJR

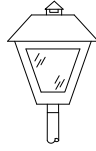
APPROVED BY: *Shen Mejia*



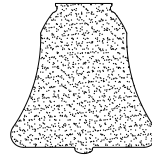
Cobra Head (CH)
"HPS"



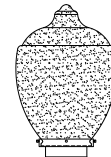
Cobra Head (CH)
"LED"



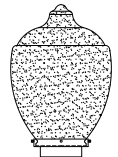
Town and Country



Bell Style
"Raincross"



Post Top
(Acorn) "Corsican"



Post Top
(Acorn) "Kodiak"

Globe / Refractor

Item No.	Description	RPU Stock No. (For Internal Use Only)
G1	Globe, Poly Carbonate, Bell Shaped (for Raincross Style Pole)	24958
G2	Globe, Poly Carbonate, Post Top, Acorn Style (for Corsican Style Pole)	24957
G3	Globe, Poly Carbonate, Post Top, Acorn Style (for Kodiak Style Pole)	-

HIGH PRESSURE SODIUM LUMINAIRES¹

Item No.	Description	Voltage	Size	Manufacturer and Style No.				RPU Stock No. (For Internal Use Only)
				A.E.C.	G.E.	C.H.	Antique	
H1	Horizontal (CH)		70W	113-000	M250-R2	OVS	King	-
H2	Horizontal (CH)		100W	-	M250-R2	-	-	-
H3	Horizontal (55 Volt, CH)	120/240	150W	113-000	M250-R2	OVS	-	-
H4	Horizontal (CH)	Multi.	200W	125-000	M400A	OVM	-	-
H5	Horizontal (CH)	Multi.	250W	125-000	M400A	OVM	-	-
H6	Horizontal (CH)	Multi.	310W	325-	M400	OVM	-	-
H7	Horizontal (CH)	Multi.	400W	325-000	M400A	OVM	-	-
H8	Town and Country ²	120/240	100W	-	T10R10S7 H2AMS3BL	-	-	-
H9	Post Top (Acorn) ³		100W	-	-	-	RIV-K199-EPR-III-100-HPS-240-KW9E-PBC	S100/QV(240) - PEC2
H10	Post Top (Acorn) ³	Multi.	150W	-	-	-	RIV-K199-EPR-III-150-HPS-240-KW9E-PBC	S150/QV(240) - PEC2

INDUCTION LIGHTING LUMINAIRE (Complete with Lamp)

Item No.	Description	Voltage	Size	Manufacturer Catalog No.		RPU Stock No. (For Internal Use Only)
				Power Lux Corp / Sequoia Lighting		
I1	Induction Lighting Fixture	200-277	55W	PR55/850/277RI		10011808
I2	Induction Lighting Fixture	120	55W	PR55/850/120RI		10011809

LED LUMINAIRE (Complete with Lamp)

Item No.	Description	Size	Manufacturer Catalog No.			RPU Stock No. (For Internal Use Only)
			Pacific Sales	G.E.	Phillips	
L1	Post Top Acorn	66W	ACAI/PTV5 66LED3K27SP/PCBMN	-	-	-
L2	Horizontal (CH)	157W	-	EMRCOA360A1 GrayL	-	-
L3	Horizontal (CH)	65W	-	-	GPLS-65W49LED4K- LE2-UNIV-PH8-NP	23255
L4	Horizontal (CH)	130W	-	-	GPLM-130W98LED4K- LE2-UNIV-PH8-NP	23250

HIGH PRESSURE SODIUM LAMPS

Item No.	Description	Size	Manufacturer and ANSI Lamp Code		RPU Stock No. (For Internal Use Only)
			Sylv.	G.E.	
HL1	Clear-55 volt	70W	S62	S62	26086
HL2	Clear-55 volt	100W	S54	S54	26087
HL3	Clear-55 volt	150W	S55	S55	26068
HL4	Clear-100 volt	200W	S66	S66	26073
HL5	Clear-100 volt	250W	S50	S50	26066
HL6	Clear-100 volt	310W	-	-	-
HL7	Clear-100 volt	400W	S51	S51	26067

Notes

- Luminaires to be furnished with integral regulator, two winding ballasts with line voltage regulation of $\pm 10\%$ and photo control receptacles. Luminaires to be wired for supply voltage as indicated on the plans. Luminaires to provide I.E.S. light distribution as indicated on the plans. 70 watt, thru and including 150 watt luminaires shall be supplied to operate 55 volt lamps only.
- Luminaires to be furnished with Acrylic Panels.
- Acrylic acorn globe complete with regulator type ballast, and cast aluminum capital with built-in button photocell.
- RPU Stock Code numbers are for reference only; contractors are to acquire materials from outside source.