

# PRECAST BURIED TRANSFORMER ENCLOSURE

REVISION: New Buried Transformer Enclosure Design

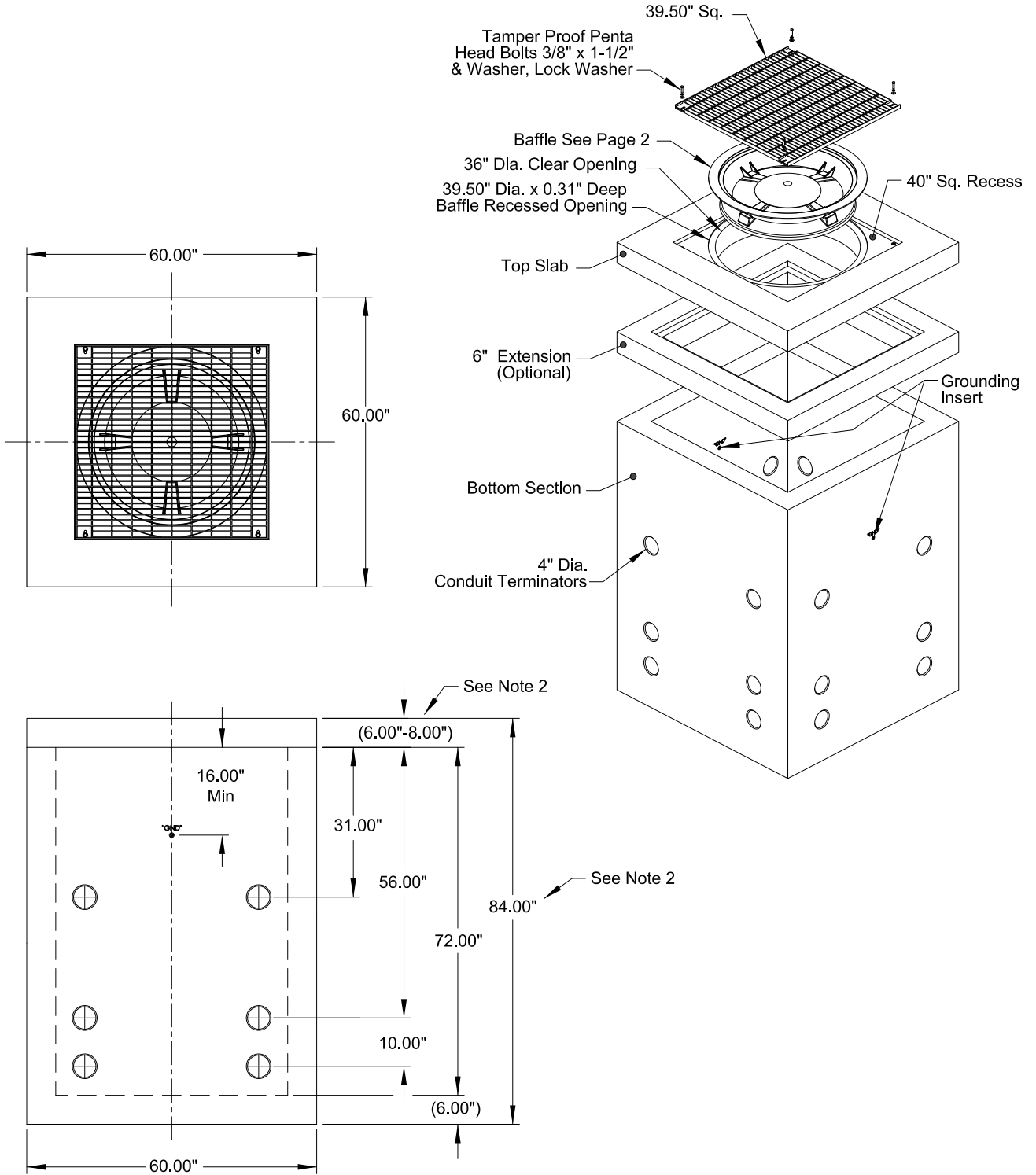
CHECKED BY  
 (ENGINEERING): SJ

DATE: 05/22/17

CHECKED BY  
 (FIELD): RJ

PREPARED / REVISED  
 BY: SJR

APPROVED BY: *Stephen E. Safond*



**Notes:**

1. Grates for sidewalk installation shall be ADA compliant & designed for parkway loading of 300 PSF.
2. Grates & top slab for incidental traffic installation shall be designed for H-20 wheel loading (increased thickness); See RPU Approved Mfg. drawing for top slab & grate details.
3. See UGS-006 for ordering information.

# PRECAST BURIED TRANSFORMER ENCLOSURE

REVISION: New Buried Transformer Enclosure Design

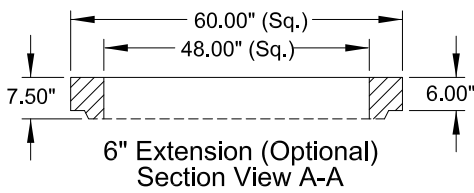
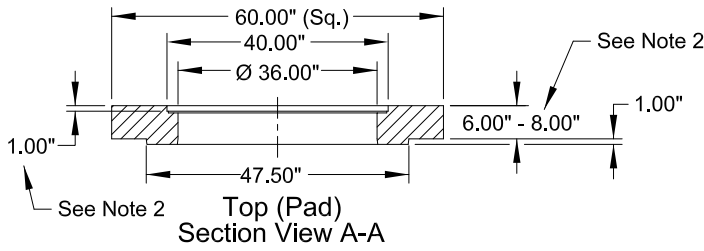
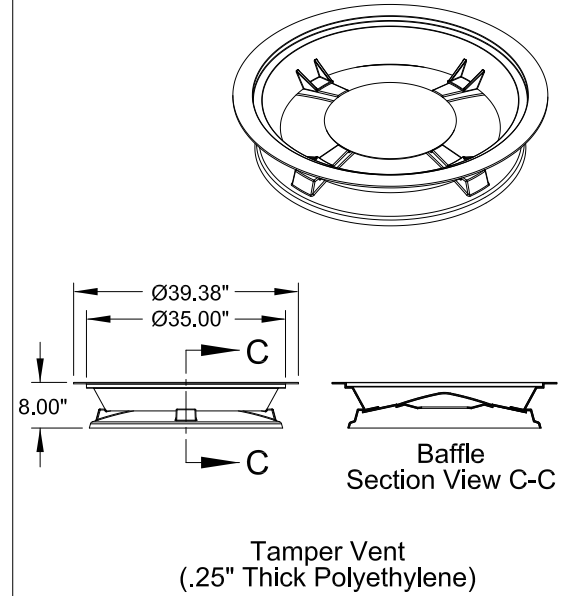
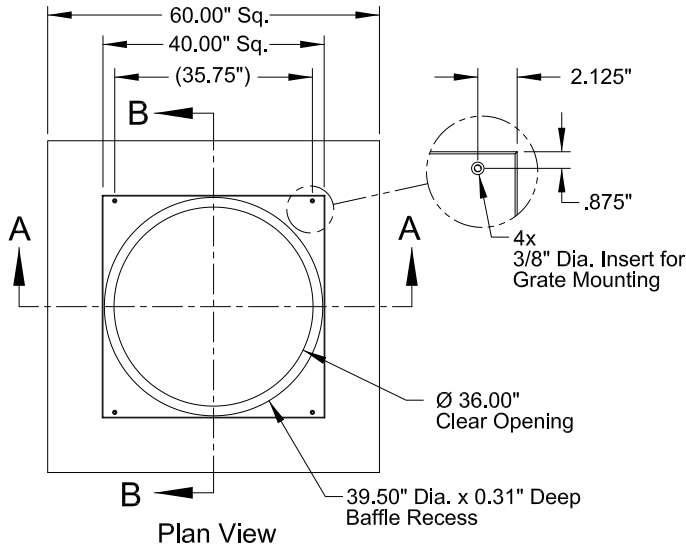
CHECKED BY  
(ENGINEERING): SJ

DATE: 05/22/17

CHECKED BY  
(FIELD): RJ

PREPARED / REVISED  
BY: SJR

APPROVED BY: *Stephen E. Saford*



Cast-In "GROUNDING" Insert  
(Grounding Contact Point form Outside to Inside Structure; Ea. Endwall, Stencil "GND")

Tails Braze Together  
(Not Bonded to Rebar Cage)

**Detail A**  
Equipment Grounding

