

GRATE FOR BURIED TRANSFORMER ENCLOSURE

REVISION: New Buried Transformer Enclosure Design

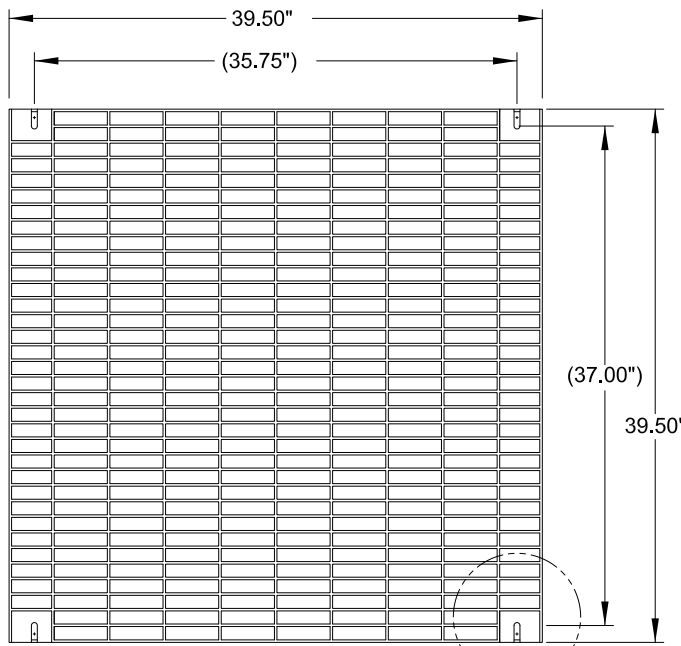
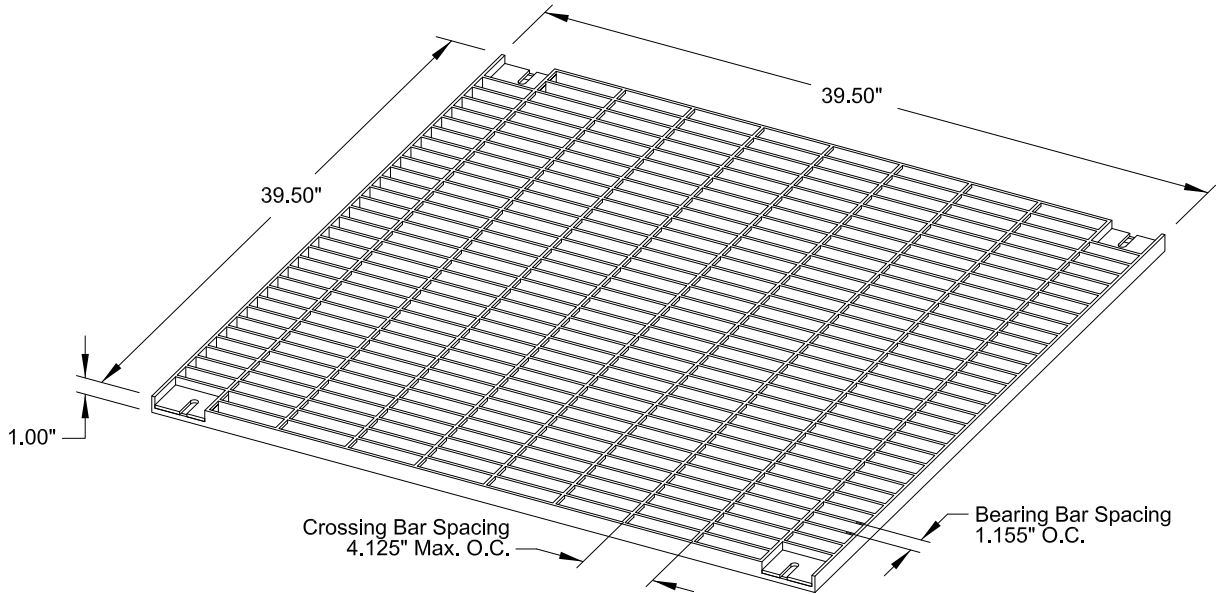
CHECKED BY (ENGINEERING): SJ

DATE: 05/22/17

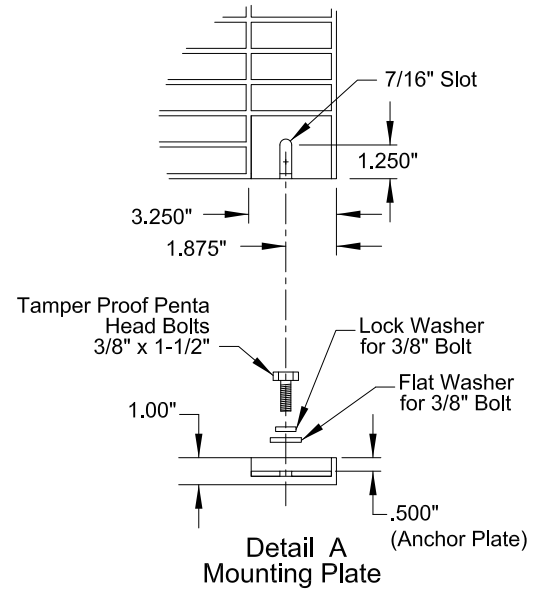
CHECKED BY (FIELD): RJ

APPROVED BY: *Stephen E. Saford*

PREPARED / REVISED BY: SJR



Galvanized Grate (Standard)



Notes:

1. Grate design to fit existing BTE top section opening of 40.0" Sq. x 1.125" depth unless otherwise specified; verify opening & mounting specification for retrofit installations before ordering (See page 2 for ADA Compliant Grate details).
2. All four corners shall have anchor plate welded .500" from top & include a 7/16" x 3/4" slot as shown above.
3. Grate to be Hot Dipped Galvanized after fabrication.
4. All Dimensions in Inches.

GRATE FOR BURIED TRANSFORMER ENCLOSURE

REVISION: New Buried Transformer Enclosure Design.

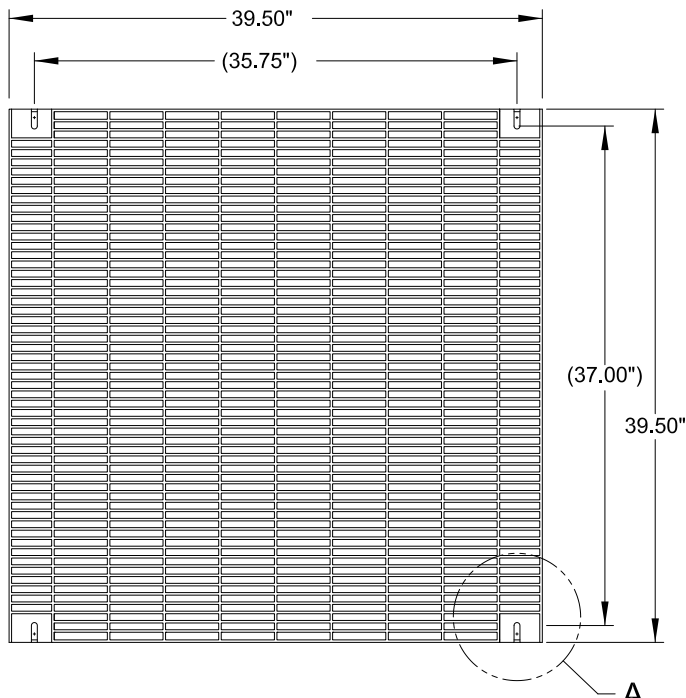
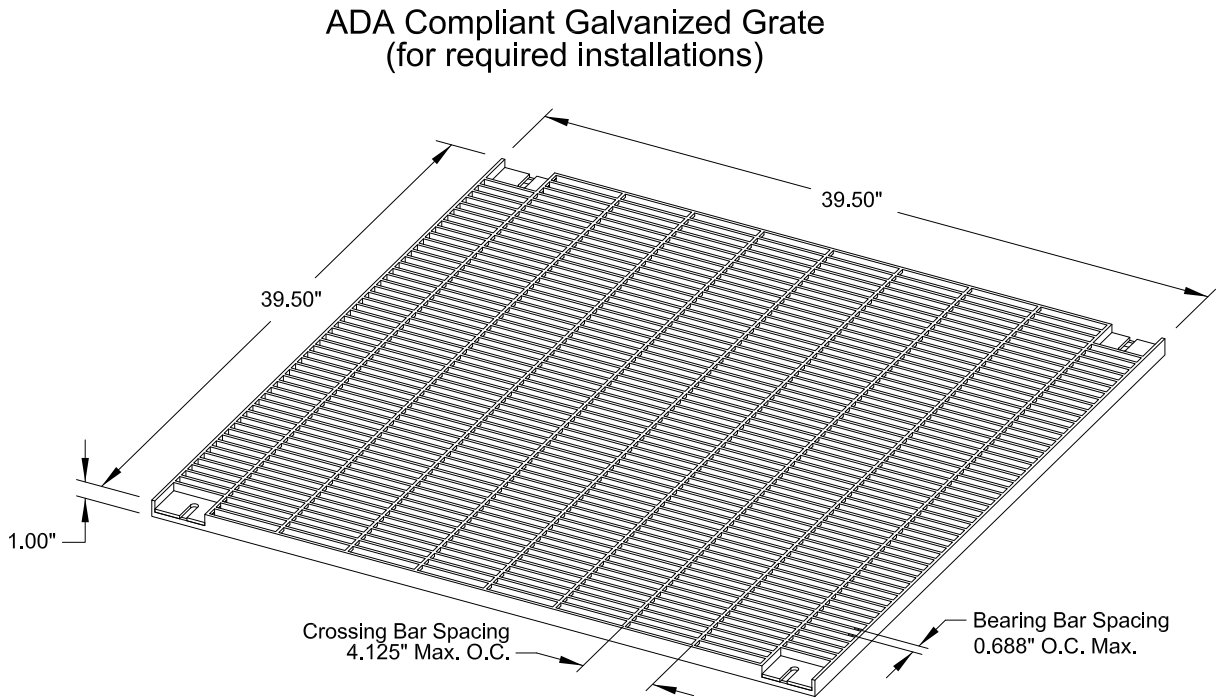
CHECKED BY (ENGINEERING): SJ

DATE: 05/22/17

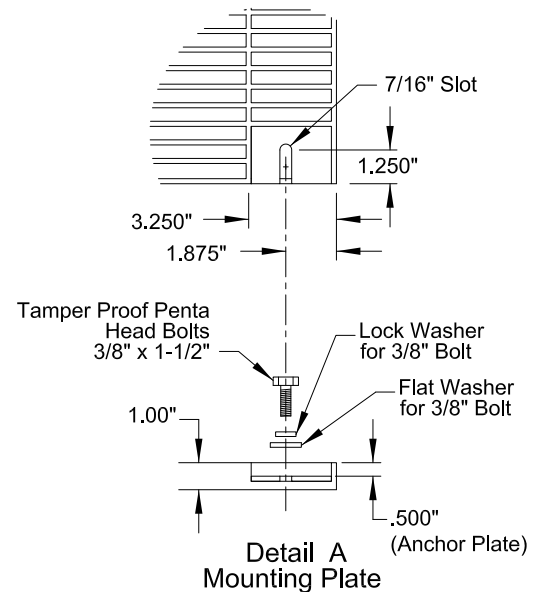
CHECKED BY (FIELD): RJ

APPROVED BY: *Stephen E. Safond*

PREPARED / REVISED BY: SJR



Galvanized Grate
(ADA Compliant)



Notes:

1. Grate design to fit existing BTE top section opening of 40.0" Sq. x 1.125 depth unless otherwise specified; verify opening & mounting specification for retrofit installations before ordering. (See page 1 for Standard Grate details).
2. All four corners shall have anchor plate welded .50" from top & include a 7/16" x 3/4" slot as shown above.
3. Grate to be Hot Dipped Galvanized after fabrication.
4. All Dimensions in Inches.
5. Manufacture shall meet all ADA specification for pedestrian walkway grate.