

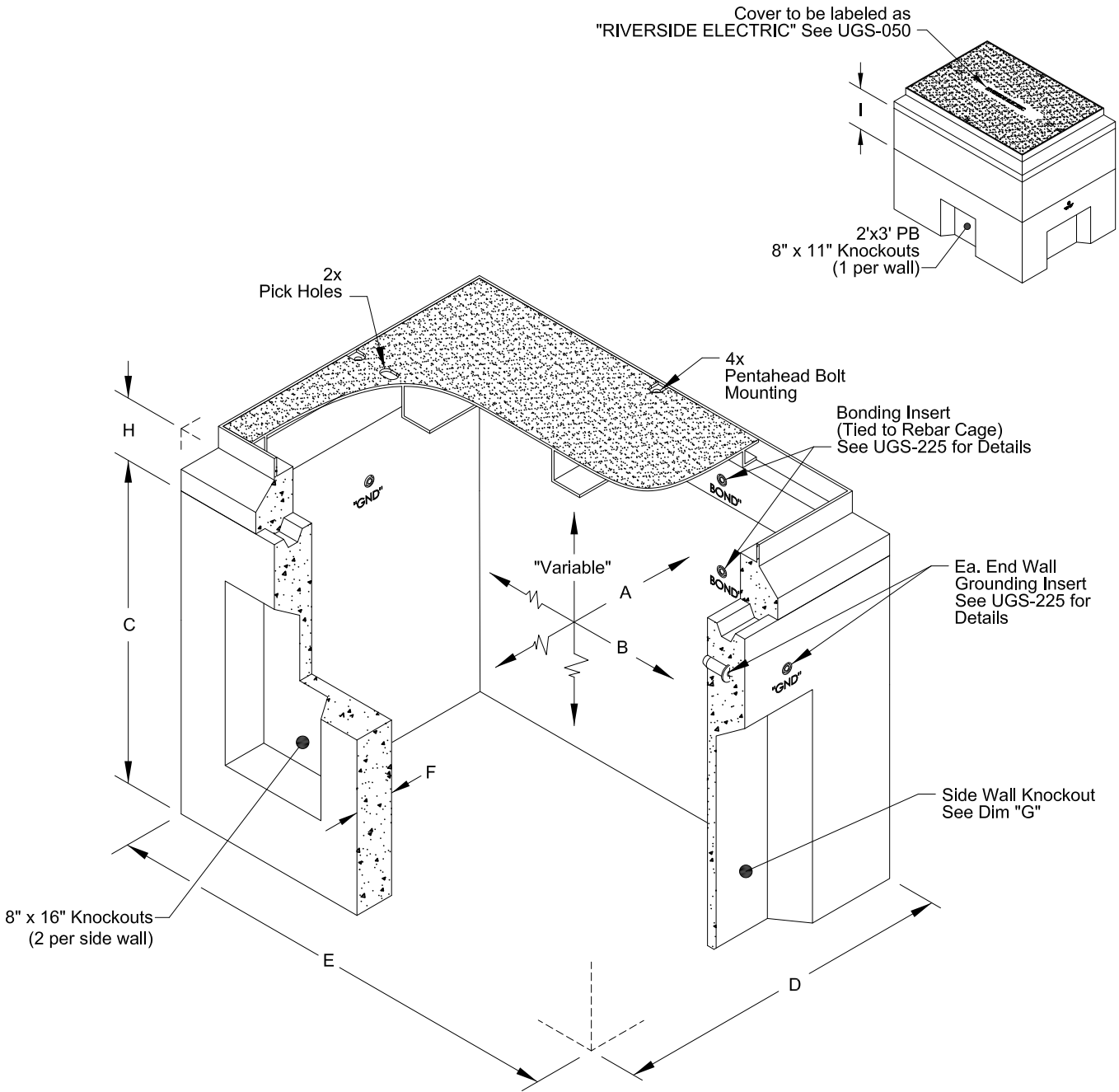
# PRECAST PULL BOXES BOTTOMLESS

REVISION: Replaces Structure Details in UGS-301, UGS-302, UGS-303, & UGS-304; Created / Updated Table, Details & Notes

CHECKED BY (ENGINEERING): SJ  
 DATE: 02/12/15

CHECKED BY (FIELD): DM

PREPARED BY: SJR  
 APPROVED BY: *Chen Mejia*



See UGS-007 for approved manufacture part #'s & availability.  
 - Incidental traffic cover shown above

Line Item	Pull Box (Type)	Pull Box Size	Typical Pull Box Dimensions								
			A	B	C	D	E	F	G	H	I
7	PB-1	2' x 3'	24"	36"	18" / 24" / 30"	32"	44"	4"	8" x 11"	6" / 12"	6" / 12"
8	PB-2										
15	PB-3	2'-6" x 4'	30"	48"	30"	40"	58"	5"	20" x 20"	6" / 12"	6" / 12"
16	PB-4										