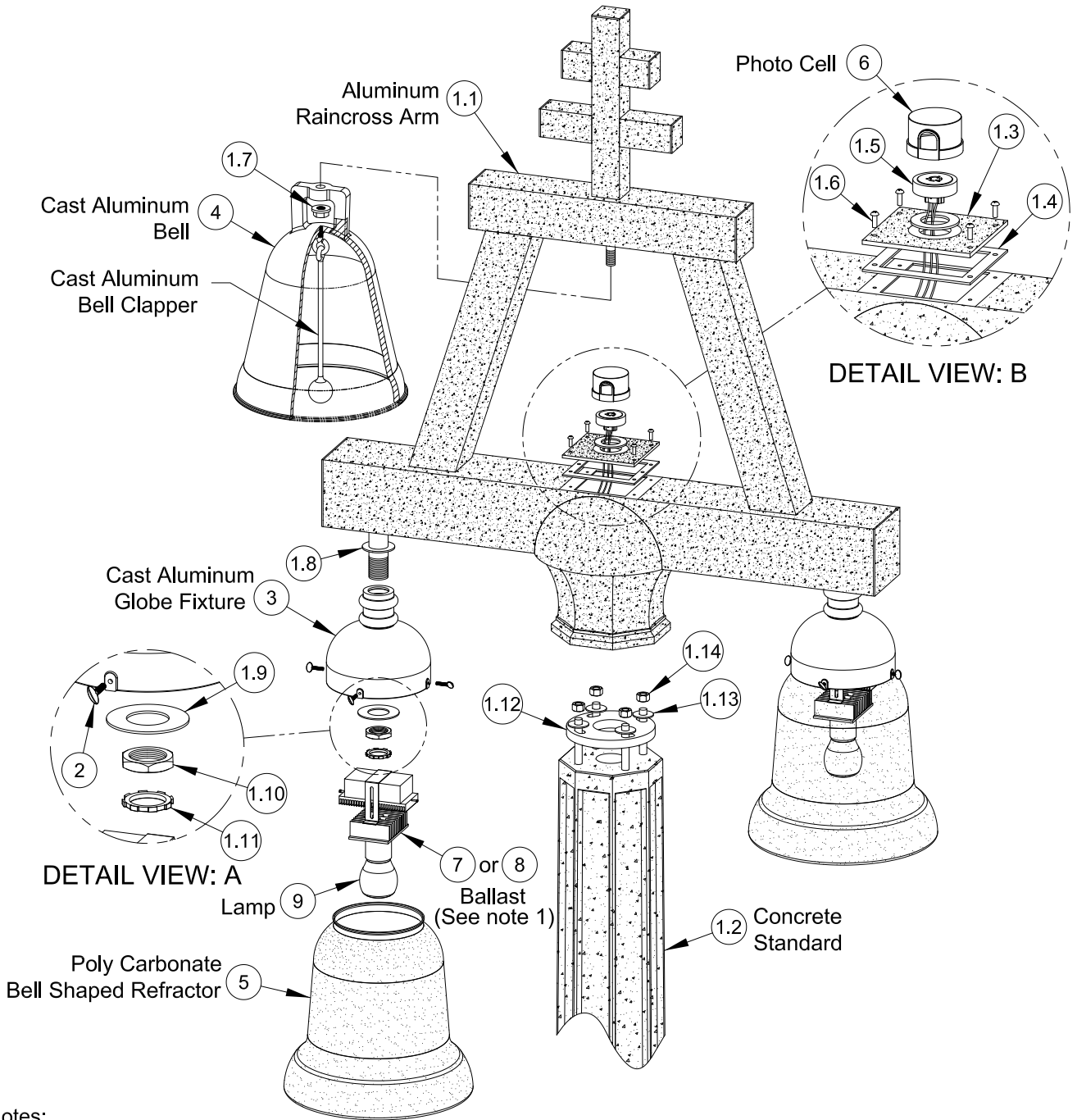


# RAINCROSS CONCRETE STREET LIGHT STANDARDS

REVISION: Updated Notes, Renumbered from UGS-800RC to UGS-804RC

CHECKED BY (ENGINEERING): SJ DATE: 10/16/14

CHECKED BY (FIELD): DM  
 APPROVED BY: *Shen Mejia*



**Notes:**

- 1.) Specific lighting fixture assembly (HPS / Induction lighting), voltage and wattage shall be as specified on approved plans.
- 2.) Rubber gasket sealing surface to be free and clear of pebble texture and debris for proper weatherproofing (Items 1.4 & 1.8); Silicon shall be applied on both sides of item 1.8.
- 3.) Contractor is responsible for procuring all items.
- 4.) Items 3, 4, 5, 6, 7, 8 & 9 are available from Public Utilities, at the project owner's expense. Contact the Public Utility Project Manager for price and availability and to obtain approved material requisitions. With approved material requisitions, arrange pick up of items from Warehouse Supervisor at:

Public Utilities Corporation Yard  
 8095 Lincoln Ave., Riverside CA 92504  
 Phone: (951) 351-6115

# RAINCROSS CONCRETE STREET LIGHT STANDARDS

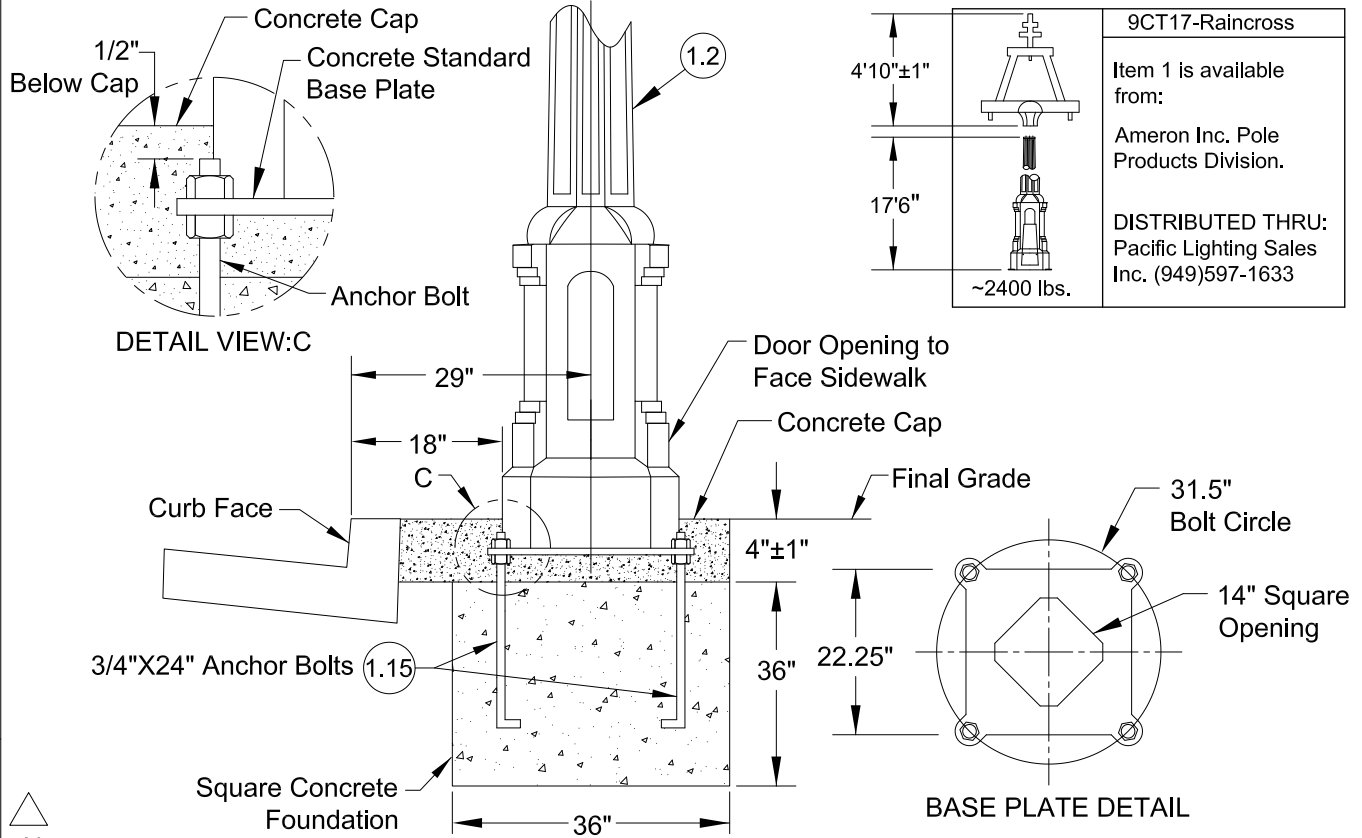
REVISION: Updated Notes, Renumbered from UGS-800RC to UGS-803RC

CHECKED BY (ENGINEERING): SJ

CHECKED BY (FIELD): DM

PREPARED / REVISED BY: SJR

DATE: 10/16/14  
 APPROVED BY: *Eren Mejia*



Notes:

1. Streetlight base concrete cap (36") shall be poured separately and independently of the sidewalk, forming a cold joint around the streetlight standard.

Item #	Stock #	Description	Qty.
1	25122	Complete Aluminum Raincross Luminaire / Concrete Standard; Ameron Cat. #9CT17 "See note 3"	1
-1.1	-	Raincross Arm - Aluminum structured square tubing (Sand Epoxy coated (M16) 4'8" Tall	1
-1.2	-	Concrete Standard (Salt & Pepper, Exposed Aggregate Finish With No Coating) 17'6" Tall	1
-1.3	-	Aluminum access cover (Sand Epoxy coated (M16)	1
-1.4	-	One-sided adhesive access cover gasket	1
-1.5	-	Photocell Receptacle	1
-1.6	-	10-24 UNC x 1/2" S.S. 18-8 PH (McMaster-Carr # 91735A242 or approved equal)	4
-1.7	-	3/4"-10 Steel Flange Oval Locknut; Black-Phosphate (McMaster-Carr # 90949A115 or approved equal)	1
-1.8	-	1.69 ID / 2.44 OD / .125 Thick Luminaire Rubber Gasket (McMaster-Carr # 5456K5 or approved equal)	2
-1.9	-	1-3/4" S.S Flat Washer (McMaster-Carr # 92141A044 or approved equal)	2
-1.10	-	1-1/4" S.S Pipe Locknut; Use 1 per fixture (McMaster-Carr # 4452K677 or approved equal)	2
-1.11	-	1-1/4" Zinc-Plated Steel Conduit Locknut, Use 1 per fixture (McMaster-Carr # 7513K244 or approved equal)	2
-1.12	-	Concrete Standard & Raincross Luminaire Union Mounting Ring	1
-1.13	-	1/2 Galvanized Washer	4
-1.14	-	1/2-13 Galvanized Nut	4
-1.15	-	3/4" x 24" 4" Anchor Bolts ASTM 1554 Grade B, Galv (Ameron P/N: 75755)	4
2	-	1/4-20 x 1" Spade Wing Nut (McMaster-Carr # 91745A542 or approved equal) "See note 3"	8
3	24972	Cast Aluminum Globe Fixture "See note 4"	1
4	24973	Cast Aluminum Bell (Includes Clapper & 3/8" Eye bolt for mounting ) "See note 4"	1
5	24958	Poly Carbonate Bell Shaped Refractor (Frosted texture finish) "See note 4"	2
6a	25041	Control, Photo Electric, 105/130 v, 1000 w, per city of riverside spec. no. 1-6.3 "See note 1&4"	1
6b	25039	Control, Photo Electric, 200-300 v, 1000 w, per city of riverside spec. no. 1-6.3 "See note 1&4"	1
7a	10011809	Ballast, 120v, Induction lighting fixture with 55w Lamp; mounting hardware included. "See note 1&4"	2
7b	10011808	Ballast, 200-277v, Induction lighting fixture with 55w Lamp; mounting hardware included "See note 1&4"	2
8a	23950	Ballast, 100w HPS, 120, 208, 240, 277 volt for Raincross Luminaire (lamp not included) "See note 1&4"	2
8b	23951	Ballast, 150w HPS, 120, 208, 240, 277 volt for Raincross Luminaire (lamp not included) "See note 1&4"	2
9a	26087	Lamp, HPS, 100 Watt, 55 Volt ANSI Code #s54 (* used with 100w HPS Ballast only) "See note 1&4"	2
9b	26068	Lamp, HPS, 150 Watt, 55 Volt ANSI Code #s55 (* used with 150w HPS Ballast only) "See note 1&4"	2
9c	26019	Lamp, for Induction Ballast, QL 55w/850, twist base (for maintenance only) "See note 1&4"	-